

Stainless Steel-Star knobs

Material no. AISI 316 (A4)

SPECIFICATION

Types

- Type **D**: with threaded through bore
- Type **E**: with threaded blind bore

Stainless Steel precision casting **A4**

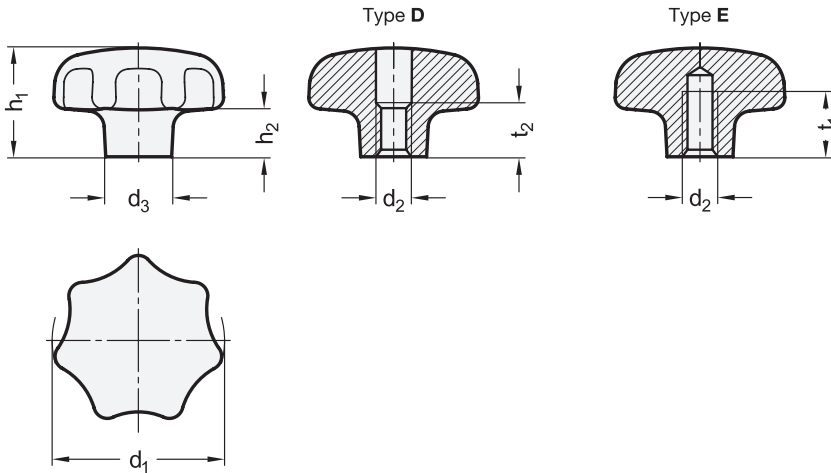
- AISI 316
- polished **PL**

INFORMATION

Stainless Steel-Star knobs GN 6336 satisfy the dimensions of the DIN 6336 but differ in terms of their non-scooping geometry, which makes cleaning easier and helps prevent possible build-up of dirt. They are suitable for areas with special hygiene requirements and, thanks to the material used, for applications in highly corrosive environments.

TECHNICAL INFORMATION

- Stainless Steel characteristics (see page A26)



GN 6336

STAINLESS STEEL

Description	d1	d2	d3	h1	h2	t1 min.	t2	⚖
GN 6336-A4-32-M6-D-PL	32	M 6	12	20	9	-	10	54
GN 6336-A4-40-M8-D-PL	40	M 8	14	25	12	-	13	103
GN 6336-A4-50-M10-D-PL	50	M 10	18	32	15	-	16	208
GN 6336-A4-63-M12-D-PL	63	M 12	20	40	19	-	20	378
GN 6336-A4-32-M6-E-PL	32	M 6	12	20	9	12	-	65
GN 6336-A4-40-M8-E-PL	40	M 8	14	25	12	15	-	106
GN 6336-A4-50-M10-E-PL	50	M 8	18	32	15	18	-	210
GN 6336-A4-63-M12-E-PL	63	M 10	20	40	19	22	-	395